

Magnetic drive pumps

Chemically resistant magnetic drive pumps
which can tolerate abnormal operation



The MX-F series development was based on the concept of optimum reliability under severe operating conditions and features our unique self radiation structure (Patented) as well as our well-established non contact system.



Chemically resistant magnetic drive pumps which can tolerate abnormal operation

The MX-F series development was based on the concept of optimum reliability under severe operating conditions and features our unique self radiation structure as well as our well-established non contact system.

The MX-F retains excellent durability under abnormal operation such as dry running, cavitation and closed-discharge operation.

High grade materials including ETFE, are utilized as the main wetted materials.

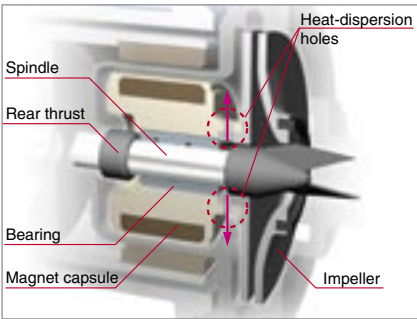
The MX-F series is an excellent choice for reliably handling a wide range of chemicals in various manufacturing processes.



- An improved mechanical strength design allows operation under abnormal conditions and results in reduction of running cost and maintenance cost.
- The adoption of a volute casing divided into two raises efficiency.
- Simply constructed, it is robust and facilitates maintenance.
- Fluororesin, excellent resistance to chemicals.

Self-radiating structure

(International patent applied)
Through heat-dispersion holes provided in the fixed portions of the impeller and the magnet capsule, the liquid around the spindle and the bearing is forced to circulate so that heat generated by sliding can be reduced effectively. Thus, thermal deformation and melt are prevented.
(Except MX-F100)



Non-contact structure

By installing the driving magnet and the driven magnet in an inventive way, the movement of the magnet capsule is controlled by magnetic force to prevent the rear thrust and the rear portion of the bearing coming into contact with each other continuously even during dry running. This structure reduces heat generation and secures lubricant routes.
(Except MX-F100)

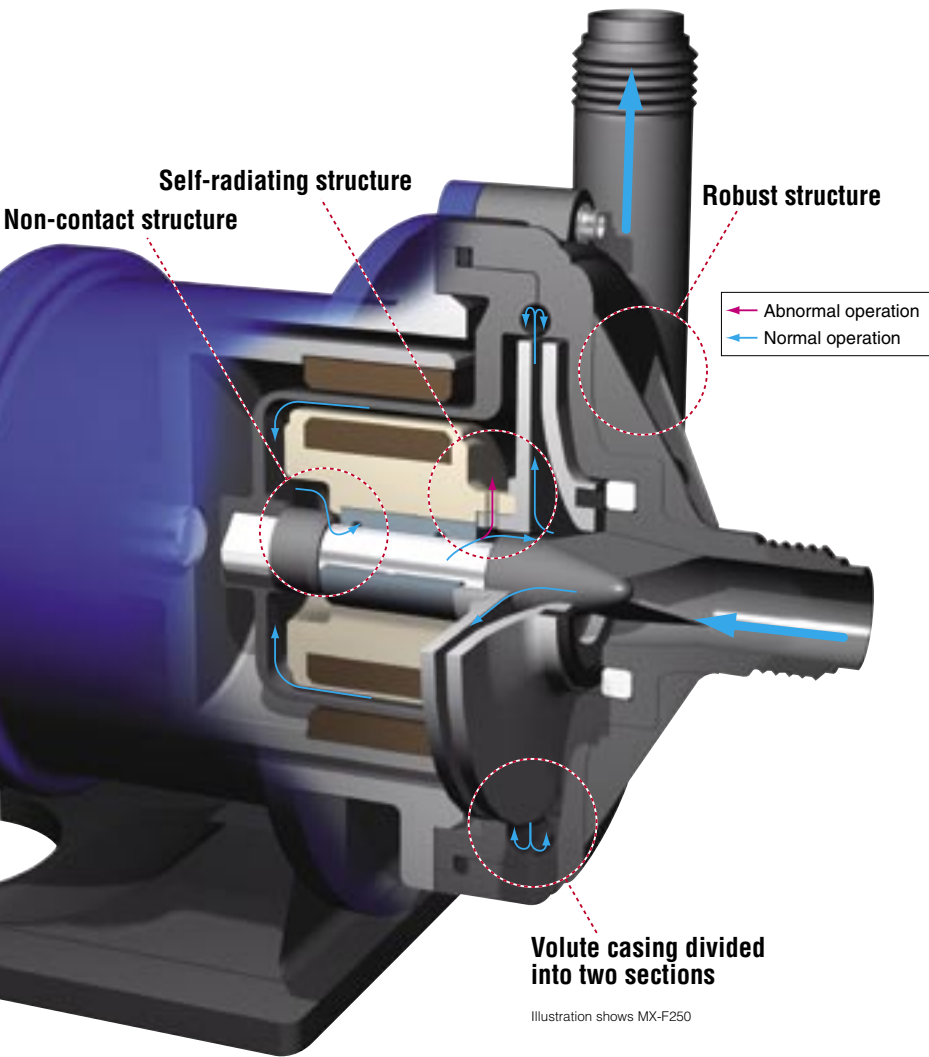
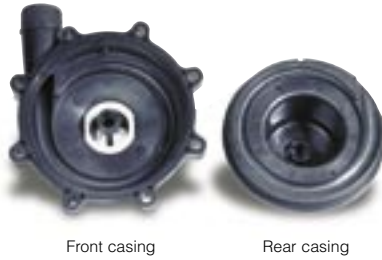


Illustration shows MX-F250

Volute casing divided into two sections

(International patent applied)
The MX-F series is the first resin magnet pump which uses the pump casing divided into the front casing and the rear casing to form a vortex chamber as an ideal form. Therefore, the internal leak phenomenon, which means that the liquid getting out of the impeller returns to the pump casing and is suppressed to a minimum and the liquid is efficiently guided to the discharge port to enhance overall efficiency.
(Except MX-F400)



Robust structure

All stress bearing portions, such as the front and rear casings, are reinforced by means of ribs to improve the pressure resistance and the mechanical strength of the pump.

The bearing is not only fixed by conventional press fit but is also sandwiched between the abutting portion in the depth of the magnet capsule and the rear end of the impeller to improve its reliability under high temperature.
(Except MX-F100)

MX-F402 and F403 models: an unplugging preventive lock pin is adopted for ensuring more steady securing.



Front casing of type MX-F100 and MX-F402/403

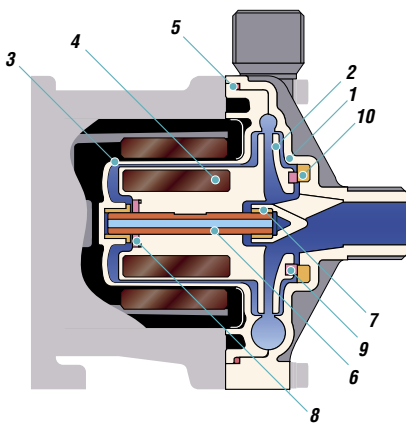


MX-F401

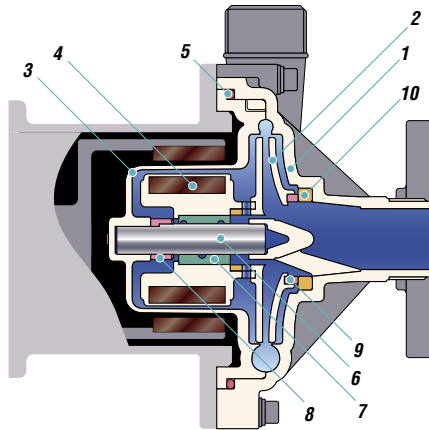
MX-F250

Wet end materials

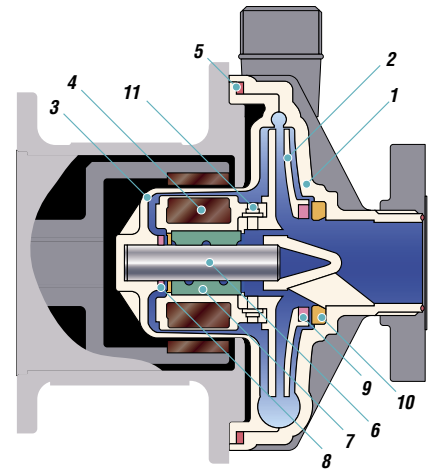
■MX-F100



■MX-F250 to F401



■MX-F402 to F403



Model	MX-F100		MX-F250 to F401			MX-F402 to F403		
	RV	KV	CFV	RFV	KKV	CFV	RFV	KKV
1 Front casing	CFRETFE		CFRETFE			CFRETFE		
2 Impeller	CFRETFE		CFRETFE			CFRETFE		
3 Rear casing	CFRETFE		CFRETFE			CFRETFE		
4 Magnet capsule	CFRETFE		CFRETFE			CFRETFE		
5 O ring <small>Note 1</small>	FKM		FKM			FKM		
6 Spindle	High purity alumina ceramic	SiC	High purity alumina ceramic	SiC	High purity alumina ceramic	SiC	High purity alumina ceramic	SiC
7 Bearing	PTFE	SiC	High density carbon	PTFE	SiC	High density carbon	PTFE	SiC
8 Rear thrust	High purity alumina ceramic	SiC(Front & Rear)	CFRETFE			CFRPFA		
9 Mouth ring	PTFE	-	PTFE	SiC	PTFE	SiC	PTFE	SiC
10 Thrust/Liner ring	High purity alumina ceramic	-	High purity alumina ceramic	SiC	High purity alumina ceramic	SiC	High purity alumina ceramic	SiC
11 Lock pin	-		-			CFRETFE		

Note 1: O-ring made of AFLAS® and EPDM are also available

Precautions for pump selection

1. The performance curves on this catalogue are based on clean water of 20 °C.

2. For the MX-F250 or larger models, select a proper impeller size according to specific gravity. Always keep 5 - 10% allowance to motor output.

Applicable motor output

$$Sp \times S.G \times (1.05 - 1.1) \leq \text{Motor output Allowance}$$

3. The magnetic drive pump is not durable for a long time in closed-discharge operation. Always keep the minimum flow.

Minimum flow

MX-F100, 250, 251, 400, 401: 10 L/min
MX-F402, 403: 20 L/min

4. NPSH validation

Observe the following for the prevention of cavitation.

$$NPSHa \geq NPSHr + 0.5 \text{ m Allowance}$$

$$NPSHa = 10^6 \times \frac{(Pa - Pv)}{\rho g} \pm hs - hfs$$

5. Maximum withstand pressure

MX-F100: 0.19MPa MX-F400: 0.22MPa
MX-F250: 0.25MPa MX-F401: 0.28MPa
MX-F251: 0.33MPa MX-F402: 0.43MPa
MX-F403: 0.43MPa

NPSHa: Net Positive Suction Head Available (m)
NPSHr: Net Positive Suction Head Required (m)
Pa: Pressure on the suction liquid level (MPa) (Absolute pressure)
Pv: Pressure of saturated vapor (MPa)
hs: Static suction head (m)
hfs: Suction pipe resistance (m)
 ρ : Liquid density (kg/m³)
g: G-force (9.8m/sec²)

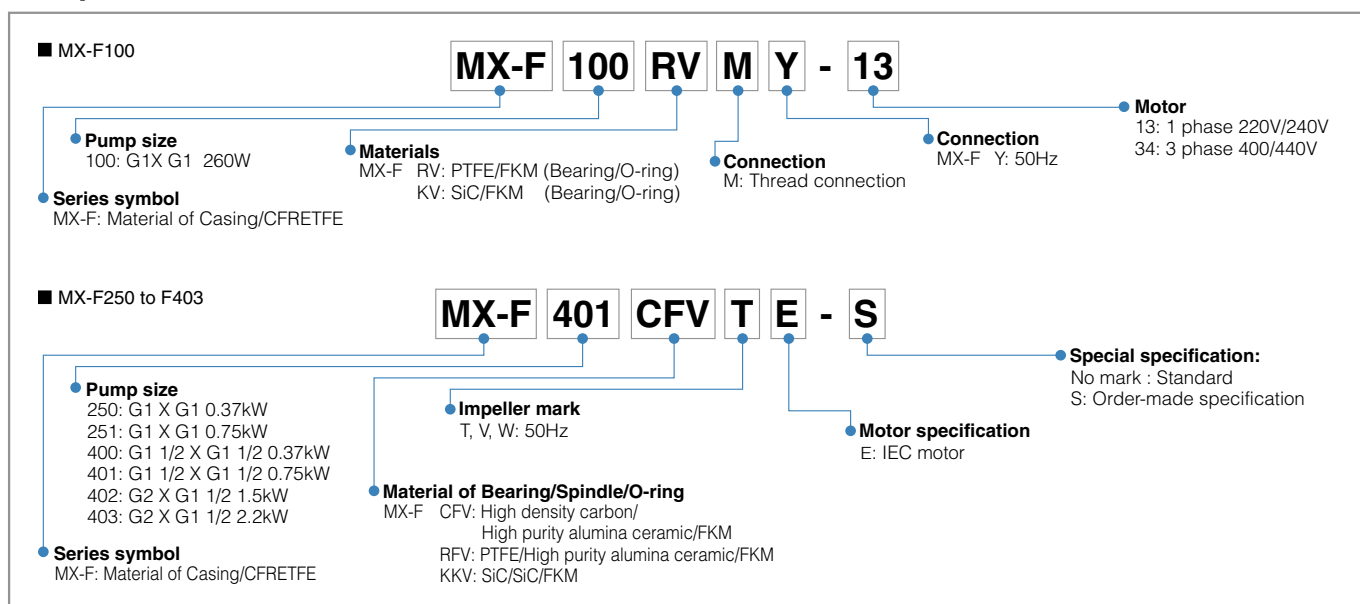


MX-F403

MX-F402

MX-F100

Pump identification



Specifications

Model	Impeller	Connection Suction X Discharge	Limit of specific gravity ^{Note 1}	Standard capacity L/min - m	Maximum capacity L/min	Motor kW	50Hz
							Mass ^{Note 2} kg
MX-F100	Y	G1 x G1	1.9	70 - 5.8	110	0.26	8.5
MX-F250	T	G1 x G1	1.2	50 - 11.7	150	0.37	8.0
MX-F250	V	G1 x G1	1.5	50 - 9.1	140	0.37	8.0
MX-F250	W	G1 x G1	1.8 to 2.0	50 - 6.4	130	0.37	8.0
MX-F251	T	G1 x G1	1.2	80 - 15.7	150	0.75	8.0
MX-F251	V	G1 x G1	1.5	80 - 12.2	150	0.75	8.0
MX-F251	W	G1 x G1	1.8 to 2.0	80 - 9	120	0.75	8.0
MX-F400	T	G1 1/2 x G1 1/2	1.2	100 - 10.1	250	0.37	6.5
MX-F400	V	G1 1/2 x G1 1/2	1.5	100 - 8.1	230	0.37	6.5
MX-F400	W	G1 1/2 x G1 1/2	1.8 to 2.0	100 - 5.5	210	0.37	6.5
MX-F401	T	G1 1/2 x G1 1/2	1.2	150 - 12.8	270	0.75	10.5
MX-F401	V	G1 1/2 x G1 1/2	1.5	150 - 10.8	260	0.75	10.5
MX-F401	W	G1 1/2 x G1 1/2	1.8 to 2.0	150 - 8.1	230	0.75	10.5
MX-F402	T	G2 x G1 1/2	1.2	200 - 18.3	440	1.5	14.0
MX-F402	V	G2 x G1 1/2	1.5	200 - 16	430	1.5	14.0
MX-F402	W	G2 x G1 1/2	1.8 to 2.0	200 - 12.5	400	1.5	14.0
MX-F403	T	G2 x G1 1/2	1.2	250 - 22.8	510	2.2	15.0
MX-F403	V	G2 x G1 1/2	1.5	250 - 19.4	500	2.2	15.0
MX-F403	W	G2 x G1 1/2	1.8 to 2.0	250 - 15.3	480	2.2	15.0

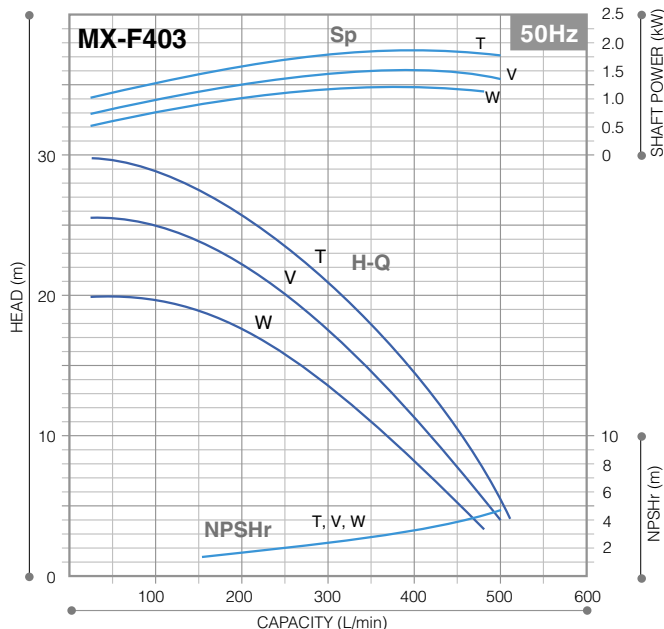
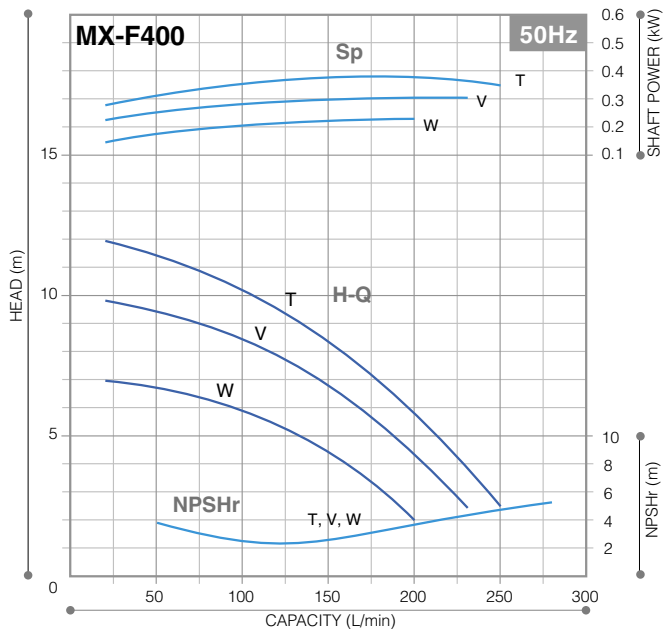
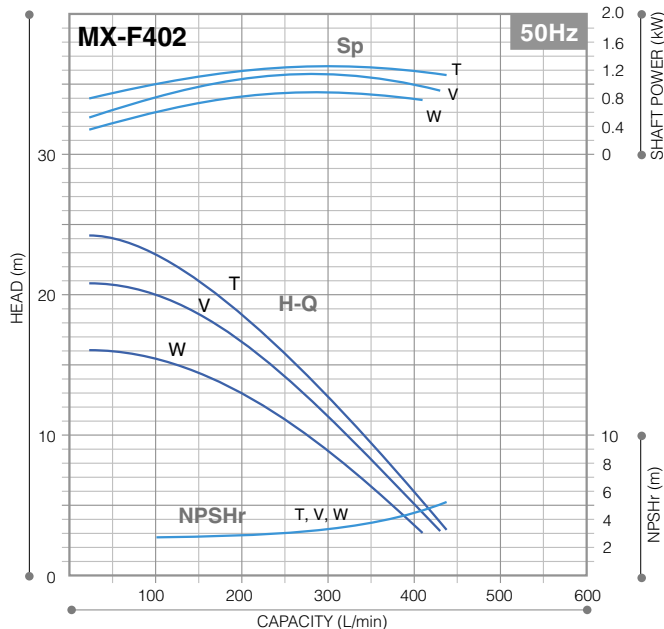
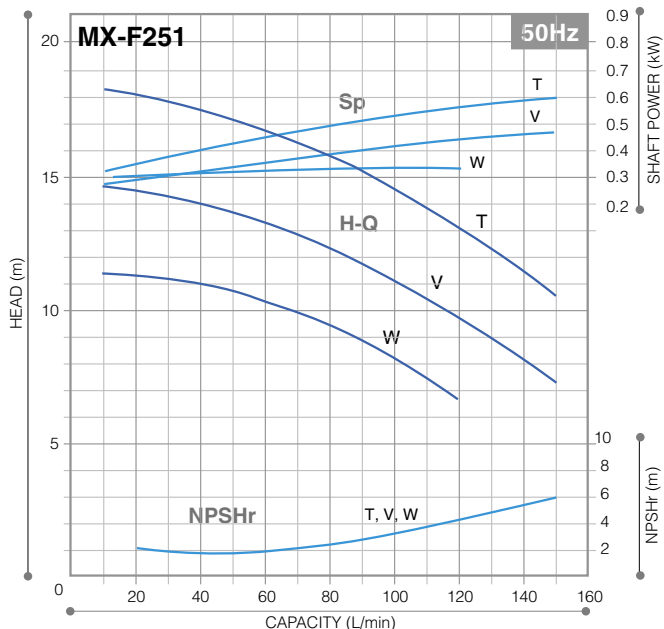
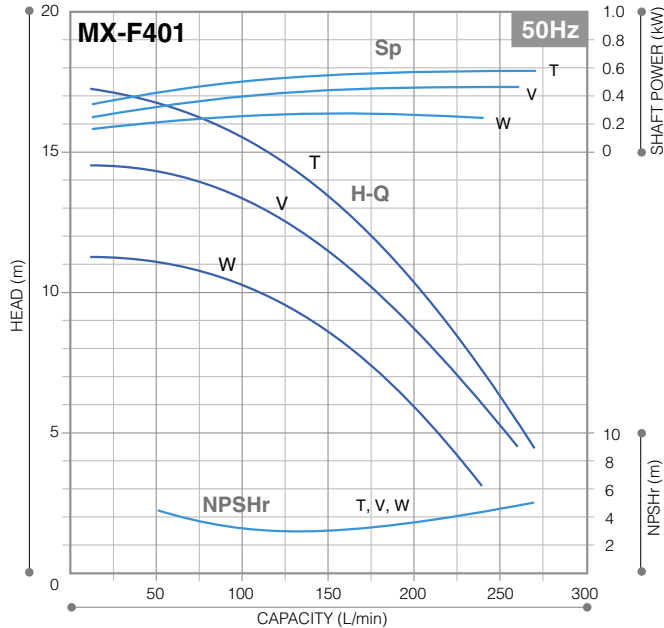
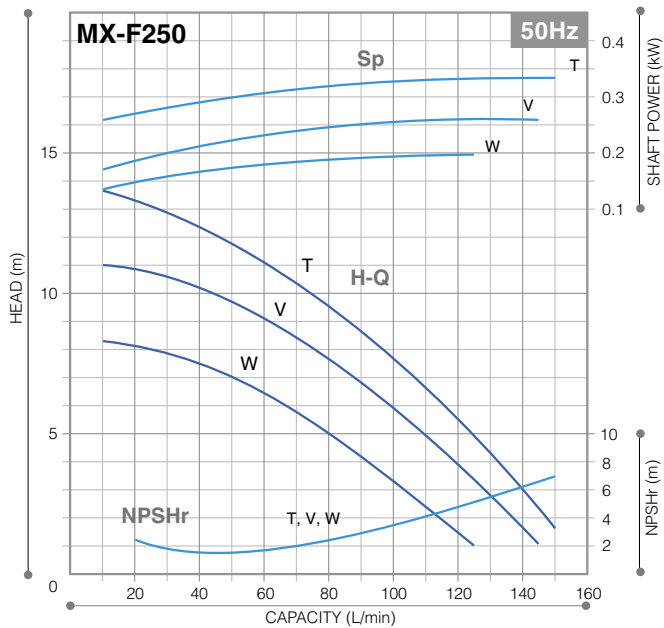
Note 1) The specific gravity limit values shown above are with maximum discharges. The specific gravity limit varies with the discharge. For details, please contact us.

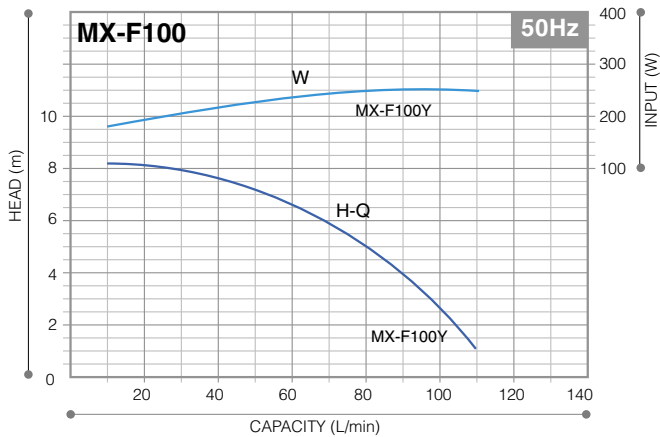
Note 2) Less motor except MD-100F.

Common specifications

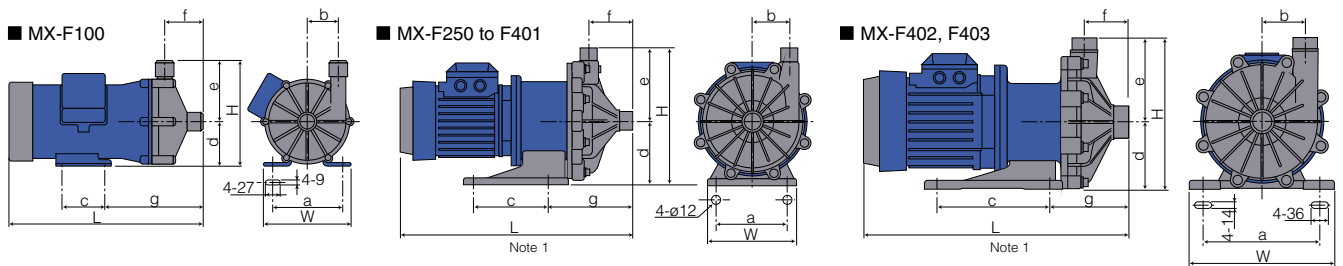
- Range of liquid temperature : 0 to 80°C (10 to 80°C in case AFLAS® O-rings are used.)
- Range of ambient temperature : 0 to 40°C.

Performance curves





Dimensions



Models	W	H	L	a	b	c	d	e	f	g	in mm
MX-F100	150	175	319.5	110	51	70	75	100	65	162	
MX-F250	160	247.5	422	130	65	130	115	132.5	82.5	155.5	
MX-F251	160	247.5	458.5	130	65	130	115	132.5	82.5	163.5	
MX-F400	140	219	423.5	110	54	98	95	124	81	144	
MX-F401	160	219	473	130	72	130	115	134	97	178	
MX-F402 to F403	260	274	478.5	208	80	200	120	154	83	151	

Note 1) The dimensions L may differ with the type of motor installed.

Optional accessories

Iwaki dry running protector DR series

Model DR is electric current sensing type dry running protector. It detects the decreased load current (lower limit) to stop the pump when it runs dry or runs with air sucking in. It can detect over-load, too.



DR-20

- Current figure to be set is indicated on LCD.
- Both top/bottom figures can be set.
Top: Over-load
Bottom: Dry running, air sucking-in operation, operation with suction side closed
- Built-in current transformer
- DIN rail mounting
- It is unable to use DR when inverter is employed in the system.

Specification

50/60Hz

Model	DR-20	
Motor power	380 to 440V three phase	
Applied motor	0.75 to 15kW	
Power control	100 to 240V single phase	
Power	V	200 to 240V ±10%single phase
	Input	3.5W
Detective current	0.5 to 32.0A	
Current transformer(CT)	Built-in	
Outer dimension	D80 X W153 X H122	

Iwaki process magnetic drive pump series

MX series

Withstands difficult operating conditions and offers high efficiency

Max. discharge capacity: 520 L/min
Max. discharge head: 35 m
Main materials: GFRPP



SMX series

Versatile self-priming magnetic drive pump with enhanced durability under abnormal operation

Max. discharge capacity: 280 L/min
Max. head: 17 m
Main materials: GFRPP, CFRETFE



MXM series

Magnetic drive pumps with an excellent balance of features and performance

Max. discharge capacity: 600 L/min
Max. head: 29 m
Main materials: CFRETFE



MDM series

Magnetic drive processing pump with dry running capability

Max. discharge capacity: 1.4 m³/min
Max. head: 74 m
Main materials: CRETFE, PFA



www.iwakipumps.jp

IWAKI CO.,LTD. 6-6 Kanda-Sudacho 2-chome Chiyoda-ku Tokyo 101-8558 Japan TEL : (81)3 3254 2935 FAX : 3 3252 8892

EUROPE / U.S.A.

European office : IWAKI Europe GmbH	TEL: (49)2154 9254 0	FAX: 2154 9254 48
Austria : IWAKI (Austria) GmbH	TEL: (41)26 674 93 00	FAX: 26 674 93 02
Belgium : IWAKI Belgium N.V.	TEL: (32)13 67 02 00	FAX: 13 67 20 30
Denmark : IWAKI Nordic A/S	TEL: (45)48 24 2345	FAX: 48 24 2346
Finland : IWAKI Suomi Oy	TEL: (358)9 2745810	FAX: 9 2742715
France : IWAKI France S.A.	TEL: (33)1 69 63 33 70	FAX: 1 64 49 92 73
Germany : IWAKI Europe GmbH	TEL: (49)2154 9254 50	FAX: 2154 9254 55
Holland : IWAKI Holland B.V.	TEL: (31)297 241121	FAX: 297 273902
Italy : IWAKI Italia S.R.L.	TEL: (39)02 990 3931	FAX: 02 990 42888
Norway : IWAKI Norge AS	TEL: (47)66 81 16 60	FAX: 66 81 16 61
Spain : IWAKI Iberica Pumps, S.A.	TEL: (34)943 630030	FAX: 943 628799
Sweden : IWAKI Sverige AB	TEL: (46)8 511 72900	FAX: 8 511 72922
Switzerland : IWAKI (Schweiz) AG	TEL: (41)26 674 93 00	FAX: 26 674 93 02
U.K. : IWAKI Pumps (UK) Ltd.	TEL: (44)1743 231363	FAX: 1743 366507
U.S.A. : IWAKI America Inc.	TEL: (1)508 429 1440	FAX: 508 429 1386

ASIA / OCEANIA

Australia : IWAKI Pumps Australia Pty Ltd.	TEL: (61)2 9899 2411	FAX: 2 9899 2421
China		
Hong Kong : IWAKI Pumps Co., Ltd.	TEL: (852)2607 1168	FAX: 2607 1000
Shanghai : IWAKI Pumps (Shanghai) Co., Ltd.	TEL: (86)21 6272 7502	FAX: 21 6272 6929
Guangzhou : GFTZ IWAKI Engineering & Trading Co., Ltd.	TEL: (86)20 8435 0603	FAX: 20 8435 9181
Beijing : GFTZ Iwaki Engineering & Trading Co., Ltd. (Beijing office)	TEL: (86)10 6442 7713	FAX: 10 6442 7712
Korea : IWAKI Korea Co., Ltd.	TEL: (82)2 2630 4800	FAX: 2 2630 4801
Malaysia : IWAKIm Sdn. Bhd.	TEL: (60)3 7803 8807	FAX: 3 7803 4800
Singapore : IWAKI Singapore Pte Ltd.	TEL: (65)6316 2028	FAX: 6316 3221
Indonesia : IWAKI Singapore (Indonesia Branch)	TEL: (62)21 6906606	FAX: 21 6906612
Taiwan : IWAKI Pumps Taiwan Co., Ltd.	TEL: (886)2 8227 6900	FAX: 2 8227 6818
Thailand : IWAKI (Thailand) Co., Ltd.	TEL: (66)2 322 2471	FAX: 2 322 2477
Vietnam : IWAKI Pumps Vietnam Co., Ltd.	TEL: (84)613 933456	FAX: 613 933399

()Country codes



Caution for safety use: Before use of pump, read instruction manual carefully to use the product correctly.
Actual pumps may differ from the photos. Specifications and dimensions are subject to change without prior notice. For further details please contact us.